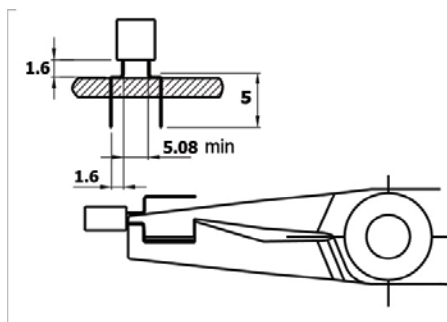


Forming pliers

145 mm



SPECIFICATION:

Variants

ESD

Cross-section of jaws

Special shape/L

Length

145 mm

Art. Nr.

RND 550-00072